

Profiles

A profile is the curve, wave or shape of the COLORSTEEL® applied to your roof or wall cladding. It plays a significant role in the overall design look and feel of your project.

We know it can be hard to visualise what might look best, so try different options with the COLORSTEEL® Roof Visualiser at colorsteel.co.nz

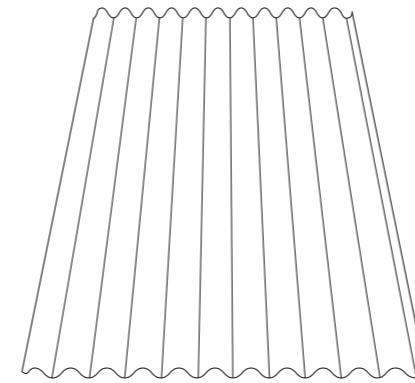


COLORSTEEL® Gull Grey, Trapezoidal Profile
Mt Maunganui

Explore the three main categories of profiles. Each COLORSTEEL® Supplier will have their own unique profile designs, so work with your supplier to select what is right for your project.

CORRUGATE

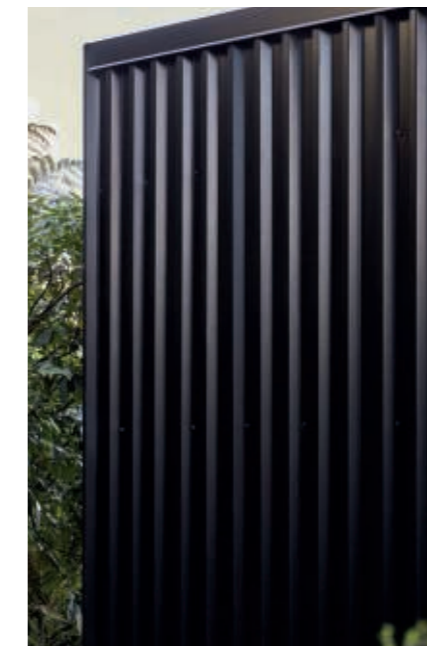
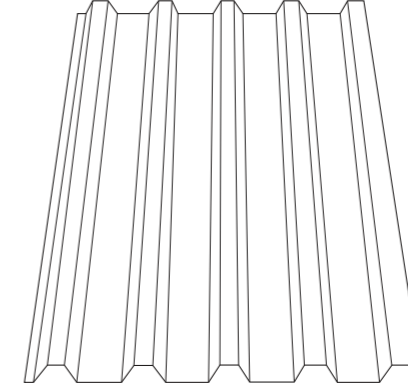
This traditional and classic design has been used on homes across the country for generations. The timeless symmetrical, wave-like pattern of corrugate looks great on villa reroofs but works equally well as cladding on modern architectural designs.



Corrugate

TRAPEZOIDAL

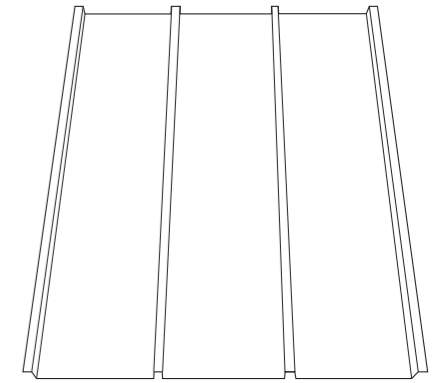
The crisp, clean lines of this profile add a modern touch to any building. Trapezoidal profiles are versatile and have a high strength to weight ratio, not only looking great but also being a perfect choice for a wide variety of applications.



Trapezoidal

TRAY

The sleek aesthetic of the tray profile has made it a favourite with architects and designers for contemporary homes. It's minimalistic design and discreet fastenings make it a popular choice for wall cladding as well as roofing.



Tray